

ATF 100G-4

100 TON MAX. LIFTING CAPACITY

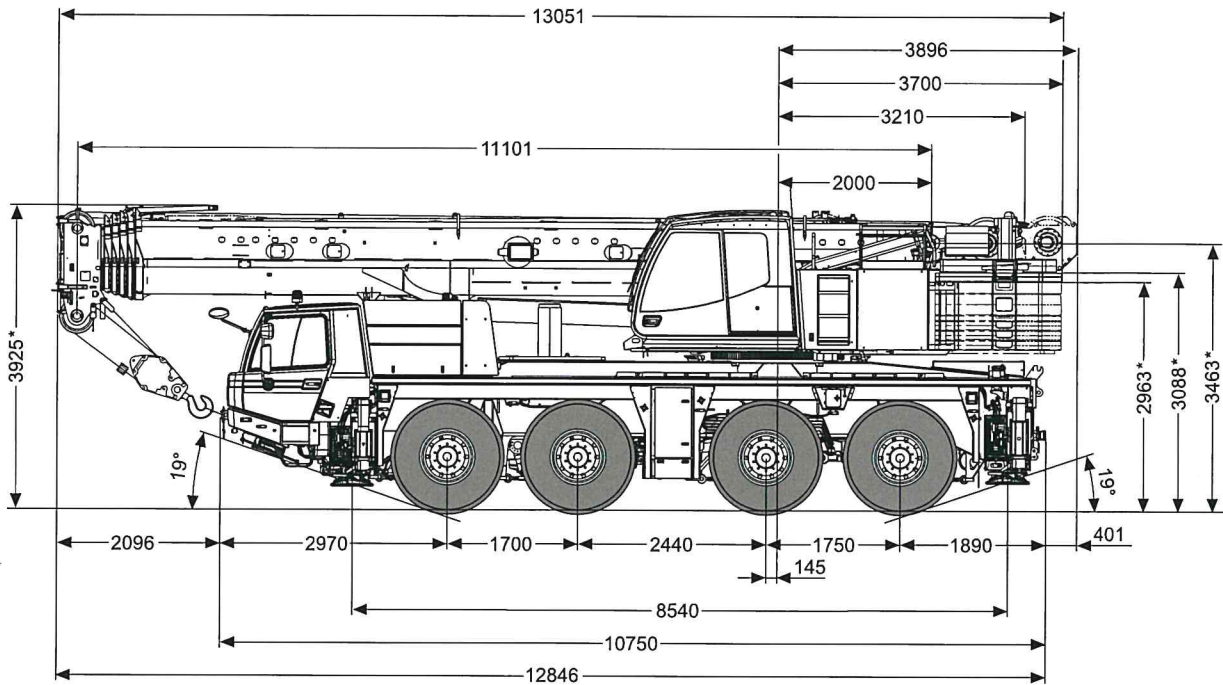
EU STAGE IV

**ALL
TERRAIN
CRANE**

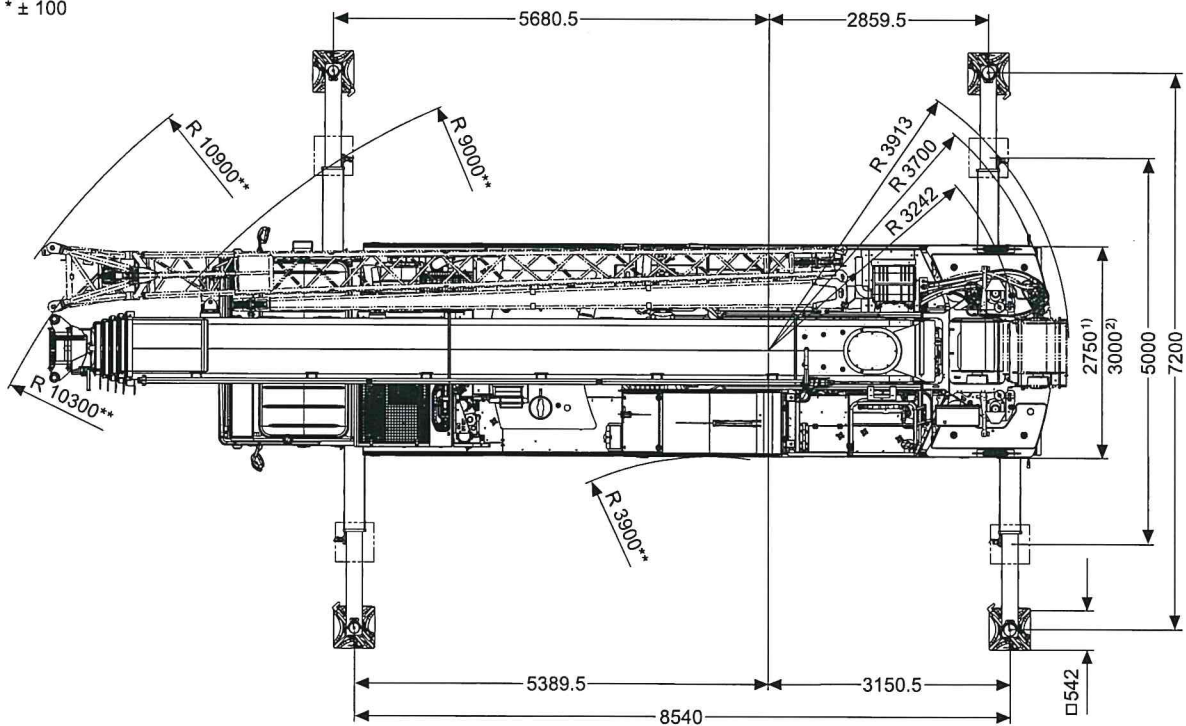


General · Allgemein · Généralités
 Generalidades · Generalità · Общие положения

Vehicle dimensions · Fahrzeugabmessungen · Dimensions du véhicule
 Dimensiones del vehículo · Dimensioni veicolo · Габариты машины



* ± 100




** Minimum · mínimo · мінімум

¹⁾ 385/95 R 25 (14.00 R25), 445/95 R 25 (16.00 R25)
²⁾ 525/80 R 25 (20.5 R25)


Operation · Einsatz · Utilisation
 Uso · Эксплуатация

Lifting capacities · Traglasten · Charges de levage
 Cargas · Portate · Грузоподъемность



 m	11.1 m*	11.1 m	14.8 m	18.5 m	22.1 m	25.8 m	29.5 m	33.2 m	36.9 m	40.5 m	44.2 m	47.9 m	51.2 m
2.3	100.0**												
2.5	90.0**												
3.0	81.6**	73.0	65.0	65.0									
3.5	74.6	70.3	65.0	65.0	50.0								
4.0	68.6	64.4	63.5	61.4	50.0	41.3							
4.5	63.1	59.3	58.8	56.7	50.0	41.3							
5.0	58.3	54.9	54.4	52.7	50.0	39.2	31.6						
6.0	50.4	47.6	47.0	46.8	45.9	34.9	31.6	23.8					
7.0	43.8	41.7	41.2	41.3	40.8	33.0	28.9	23.8	19.7	15.8			
8.0	36.8	35.5	36.3	36.4	36.6	31.1	28.5	23.8	19.7	15.8	12.9		
9.0	24.9	24.0	32.0	32.1	32.4	29.4	28.5	22.6	19.7	15.8	12.9	10.2	
10.0			28.5	28.6	28.9	28.0	28.5	20.9	19.6	15.8	12.9	10.2	8.9
11.0			25.0	25.2	25.6	26.7	26.3	19.4	18.2	15.8	12.9	10.2	8.9
12.0			20.9	22.3	23.1	23.8	23.4	18.0	17.0	15.8	12.9	10.2	8.9
14.0				19.0	19.0	18.8	18.4	16.2	14.9	14.1	12.9	10.2	8.9
16.0				14.6	15.5	15.3	14.9	14.9	13.2	12.6	11.8	10.2	8.9
18.0					13.0	12.7	12.3	12.8	11.8	11.3	10.8	10.0	8.9
20.0					9.6	10.8	10.4	10.8	10.8	10.1	9.8	9.1	8.5
22.0						9.3	8.9	9.3	9.5	8.7	8.9	8.4	7.6
24.0							7.8	8.1	8.3	8.1	8.2	7.8	6.9
26.0							7.3	7.0	7.2	7.3	7.2	6.8	6.2
28.0								6.2	6.7	6.4	6.3	6.0	5.6
30.0								5.7	5.9	5.7	5.5	5.2	5.1
32.0									5.3	5.1	4.9	4.6	4.6
34.0									4.8	4.5	4.4	4.1	4.0
36.0										4.0	3.9	3.6	3.6
38.0										3.6	3.4	3.1	3.1
40.0											3.1	2.8	2.7
42.0											2.7	2.4	2.4
44.0												2.1	2.1
46.0													1.8
48.0													1.6



 m	11.1 m*	11.1 m	14.8 m	18.5 m	22.1 m	25.8 m	29.5 m	33.2 m	36.9 m	40.5 m	44.2 m	47.9 m	51.2 m
2.3	100.0**												
2.5	90.0**												
3.0	80.6**	75.4**	65.0	65.0									
3.5	72.8	68.5	65.0	65.0	50.0								
4.0	66.3	62.4	61.9	61.4	50.0	41.3							
4.5	60.8	57.2	56.7	56.4	50.0	41.3							
5.0	54.2	52.5	51.9	50.2	47.9	39.2	31.6						
6.0	44.4	44.0	41.7	38.9	36.8	34.2	31.6	23.8					
7.0	33.9	34.0	32.8	30.8	31.8	30.0	27.9	23.8	19.7	15.8			
8.0	26.1	26.2	25.2	27.9	26.7	25.1	23.5	21.9	19.7	15.8	12.9		
9.0	21.0	21.0	22.2	22.8	22.8	21.5	20.2	19.9	18.1	15.8	12.9	10.2	
10.0			18.4	19.0	19.0	18.7	17.5	17.4	16.1	15.3	12.9	10.2	8.9
11.0			15.6	16.2	16.2	15.9	15.4	15.4	15.1	13.5	12.9	10.2	8.9
12.0			13.4	13.9	14.5	13.7	14.2	13.7	13.5	12.9	11.8	10.2	8.9
14.0				10.7	11.2	11.2	11.3	11.2	11.2	10.7	10.2	9.5	8.9
16.0				8.4	8.9	8.9	9.0	8.8	8.8	8.5	8.4	7.8	7.6
18.0					7.2	7.2	7.3	7.2	7.1	6.8	6.7	6.3	6.3
20.0					5.9	5.9	6.0	5.9	5.8	5.6	5.4	5.1	5.1
22.0						4.9	5.0	4.9	4.8	4.6	4.4	4.1	4.1
24.0							4.2	4.1	4.0	3.8	3.6	3.3	3.3
26.0							3.6	3.4	3.4	3.1	3.0	2.6	2.6
28.0								2.9	2.8	2.6	2.4	2.1	2.1
30.0								2.4	2.4	2.1	1.9	1.6	1.6
32.0									2.0	1.7	1.6	1.2	1.2
34.0									1.6	1.4	1.2	0.9	0.9
36.0										1.1	0.9	0.6	0.6
38.0										0.8	0.6		

Operation · Einsatz · Utilisation
 Uso · Эксплуатация

Working range · Arbeitsbereich · Rayon de travail
 Zona de trabajo · Area di lavoro · Рабочая зона

